

*Phylrich*<sup>®</sup>

---

**INSTALLATION INSTRUCTIONS FOR  
DECK TUB SETS  
VALVES NUMBERED: 80001248 & 90001248**

2222 Camden Court, Oak Brook, IL 60523  
Telephone: 800-PHYLRICH (749-5742) Fax: 866-800-9774  
[www.phylrich.com](http://www.phylrich.com)

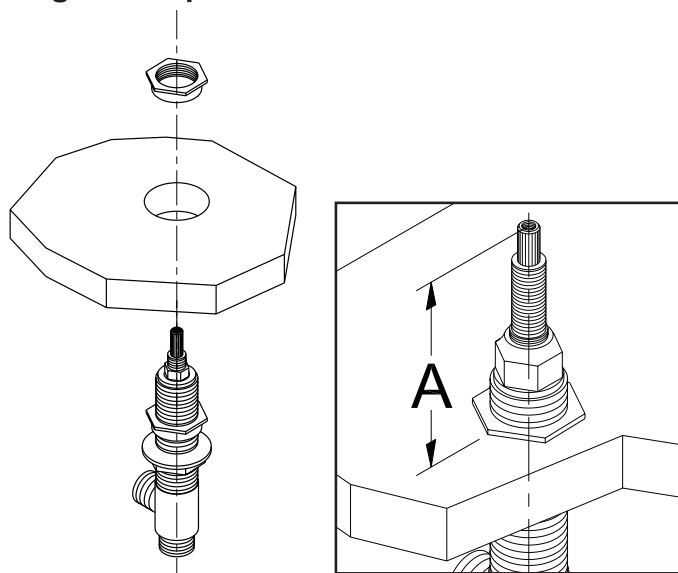
# Preparing For The Installation Of The 80001248 or 90001248 Rough Valve

1. All of the valves in this deck tub rough in set are separate. This allows each to be placed for ease of operation and design. Please consult with the home owner or contractor to determine the placement of the valves and tub spout.
2. You will be installing a hot & cold valve, a spout nipple with an adapter for the spout and a tee.
3. Determine the correct valve rough in measurement based on the trim product number. Reference the rough in specification sheet P99018A and find the 'A' measurement.  
*IF YOU DO NOT KNOW THE TRIM NUMBER INSTALL THE VALVES AT A 2 5/8" ROUGH IN MEASUREMENT.  
(NOTE: THIS IS THE DISTANCE FROM THE FINISHED DECK TO THE TIP OF THE STEM.)*
4. The hole size for the Hot and Cold valves is 1 1/2".
5. The hole for the spout nipple is 1 1/4".
6. All lever handle sets are supplied with one hot and one cold valve. All cross handle sets have two hot valves. All valves are marked hot or cold.

## **SPECIAL NOTE:**

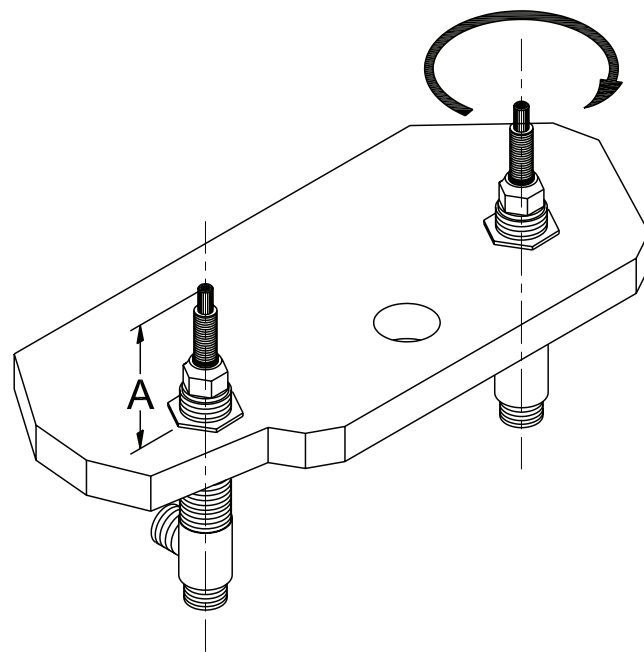
If the trim for this valve is numbered **K1144H**, please note that the deck tub spout will **NOT** work with the snap on adapter  
(see Rough-In Step #3).  
This spout must be threaded on the enclosed nipple.

### Rough-In Step #1



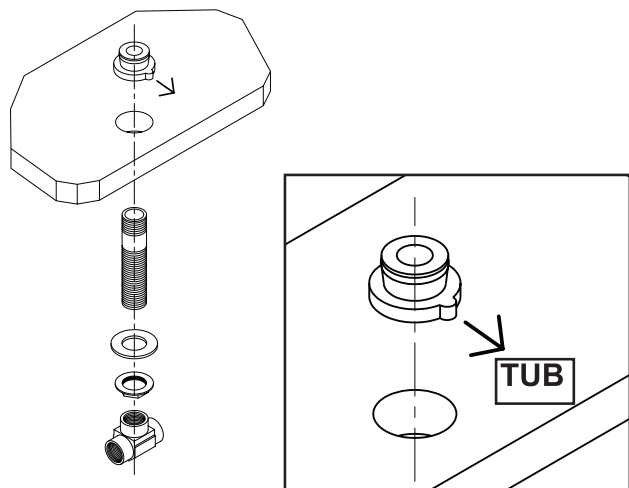
Insert the hot deck valve from below through a 1 1/2" hole and install the top-fastening nut. Set the deck valve to proper rough-in height by adjusting the top mounting nut and secure the valve by tightening the bottom valve nut. The rough in measurement is found by using measurement 'A' on the Rough In Specification P99018A. The trim product number must be known. The stem and nipple may be trimmed to arrive at the correct rough-in measurement. Do the same for the cold valve.

### Rough-In Step #2



Connect the hot and cold supply piping to the 3/4" NPT at the bottom of the hot and cold valves.

### Rough-In Step #3



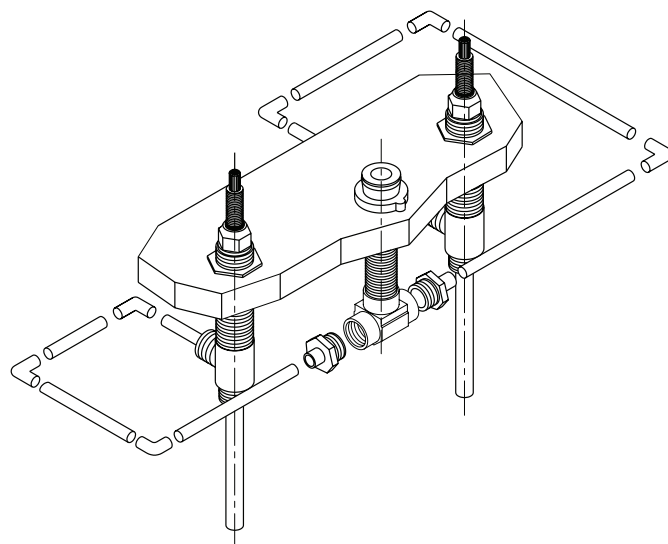
Apply teflon tape or pipe joint compound to the short end of the 3/4" spout nipple. Thread short end of the nipple into the quick connect deck spout adapter. Install the quick connect adapter through the 1-1/4" hole in the deck making sure that the deck spout adaptor sits flat on the finished deck.

**NOTE: SPOUT QUICK ADAPTER MUST BE INSTALLED WITH THE TAB TOWARD THE TUB.**

Install the stainless steel washer and fastening nut on the spout nipple and tighten from below.

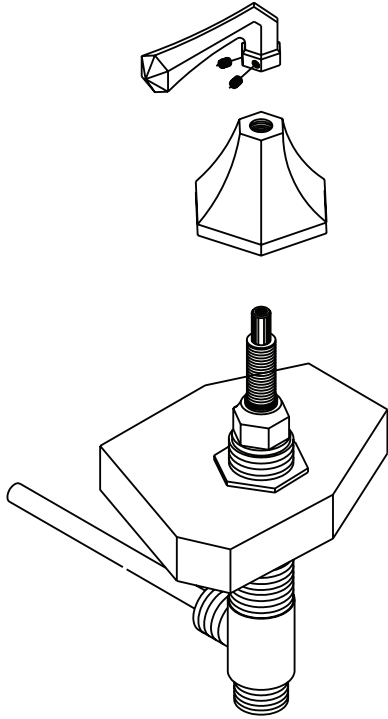
Apply teflon tape or pipe joint compound to the bottom of the 3/4" spout nipple. Attach the 3/4" tee.

### Rough-In Step #4



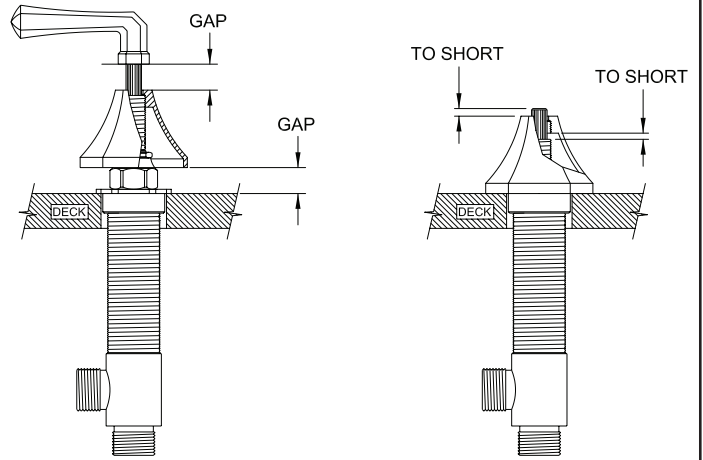
Connect the 3/4" NPT outlets from the hot and cold deck valves to the spout tee.

### Trim Out Step #1



Attach the trim components by installing the escutcheons onto the valves. You may need to trim the nipple and stem.

### Trim Out Step #2



*If there is a "GAP"*

Please trim the nipple to allow the escutcheon to bottom out on the finished deck.

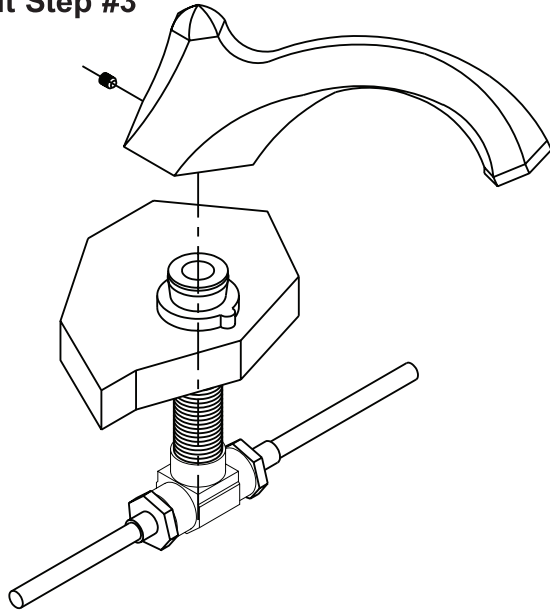
Please trim the stem so that the handle sits just above the escutcheon.

*If the nipple for the escutcheon or the stem is too "SHORT"*

Please contact your local distributor and order an EXTDK0203\_001 to extend these parts.

The EXTDK0203\_001 may be trimmed to fit after installation.

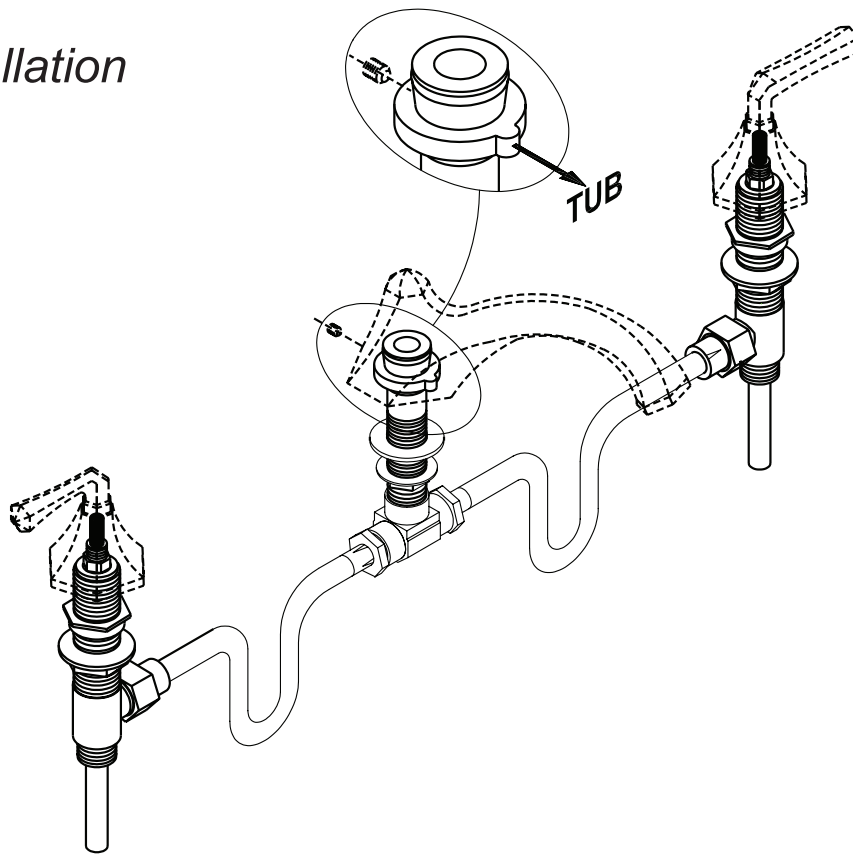
### Trim Out Step #3



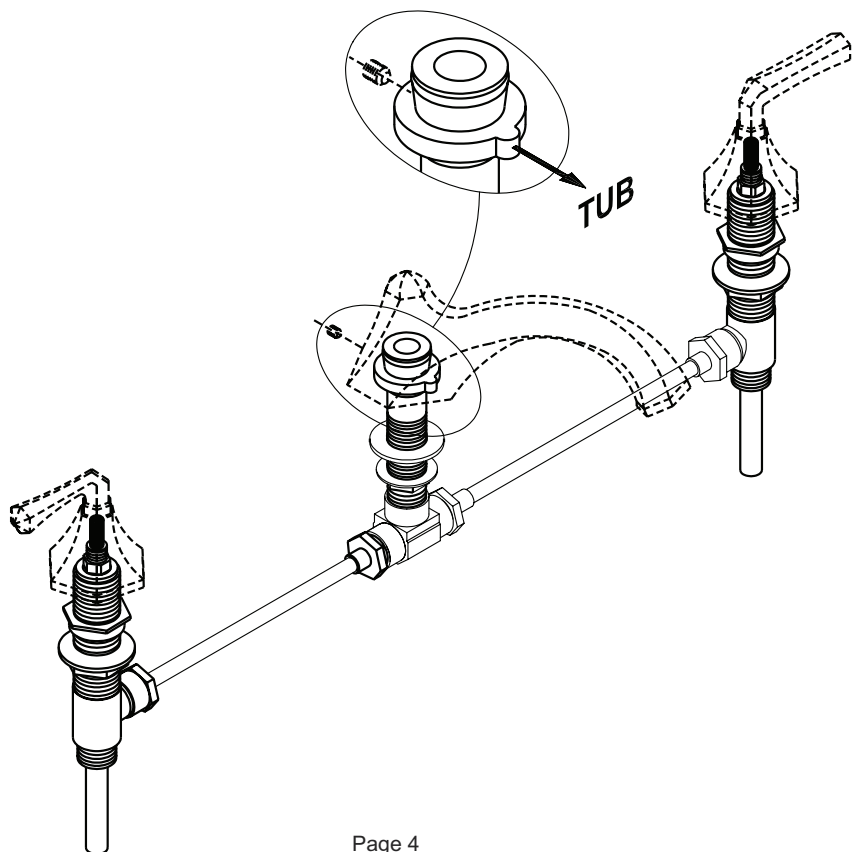
Set the deck spout onto the quick connect spout adapter and tighten the set screw at the base of the spout with the supplied allen wrench.

**NOTE:** IF THE SPOUT IS NOT ALIGNED IN THE CORRECT DIRECTION, **DO NOT** TAP THE SPOUT INTO POSITION. REMOVE THE SPOUT AND ADJUST THE QUICK CONNECT SPOUT ADAPTER. Please see Rough-In Step #3.

## Flexible Installation



## Rigid Installation



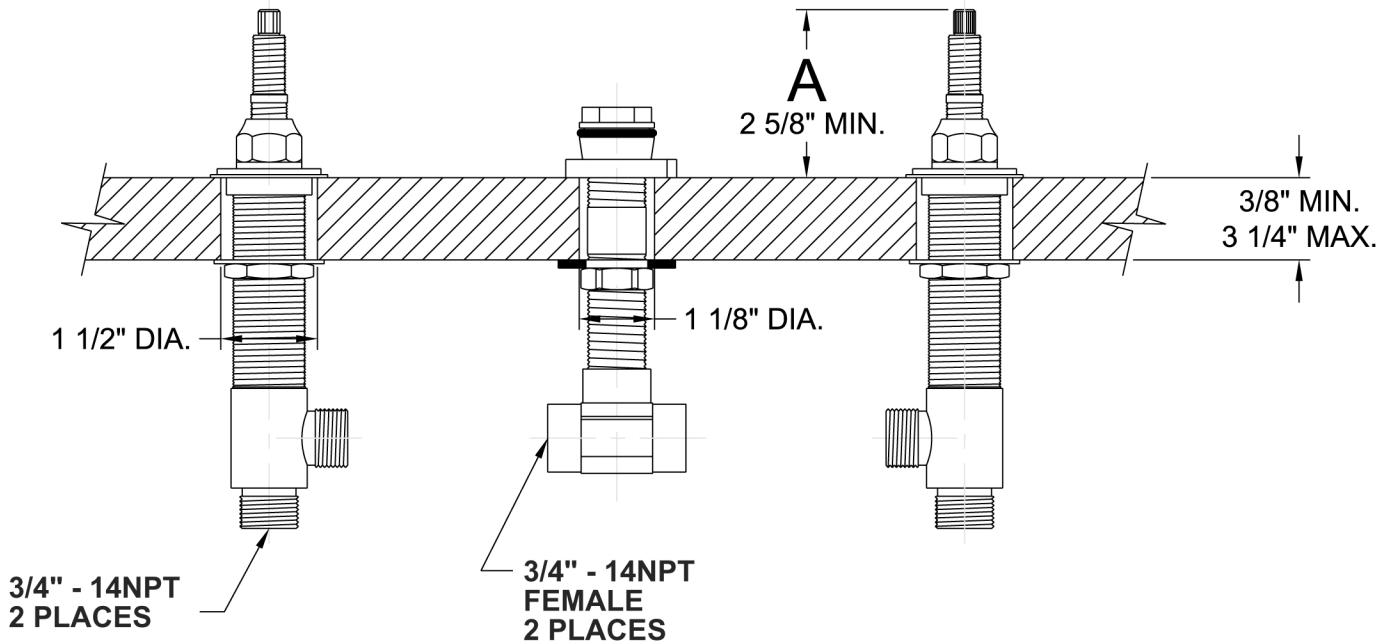


Valve shown:

**80001248**  
**90001248**

## Rough In Specifications For Deck Tub Sets

IF YOU DO NOT KNOW THE TRIM NUMBER INSTALL THE VALVES AT A 2 5/8" ROUGH IN MEASUREMENT.  
(NOTE: THIS IS THE DISTANCE FROM THE FINISHED DECK TO THE TIP OF THE STEM.)



**ALL PHYLRICH VALVE INSTALLATIONS MUST FOLLOW THE MEASUREMENTS FOR "A" LISTED BELOW.**

**PLEASE CONSULT THE TRIM NUMBER FOR THE CORRECT ROUGH IN DIMENSION.**

Phylrich Prod#	Rough In	Phylrich Prod#	Rough In	Phylrich Prod#	Rough In	Doralfe Prod#	Rough In
K1101M.....	2 3/8"	K1160J.....	2 1/4"	K1241P.....	3"	D1100J.....	2 1/4"
K1104L.....	2 3/4"	K1161J.....	2 1/4"	K1242P.....	3"	D1102J.....	2 1/4"
K1105L.....	2 3/4"	K1162T.....	2 1/4"	K1243P.....	3"	D1103J.....	2 1/4"
K1109L.....	2 5/8"	K1163T.....	2 1/4"	K1244P.....	3"	D1111J.....	2 1/4"
K1110L.....	2 3/8"	K1170V.....	2 1/2"	K1251T.....	2 3/4"	D1130C.....	2 1/4"
K1120T.....	2 1/8"	K1171V.....	2 1/2"	K1261J.....	2 3/4"	D1132D.....	2 1/4"
K1120AT.....	2 1/8"	K1180G.....	3"	K1270P.....	3"	D1134C.....	2 1/4"
K1121T.....	2 1/8"	K1181P.....	3"	K1271P.....	3"	D1136D.....	2 1/4"
K1121AT.....	2 1/8"	K1183G.....	3"	K1272P.....	3"	D1137C.....	2 1/4"
K1123G.....	2 5/8"	K1184M.....	3"	K1273P.....	3"	D1139D.....	2 1/4"
K1137R.....	2 3/8"	K1190J.....	2 1/8"	K1274P.....	3"	D1200T.....	2 1/4"
K1137RSF.....	2 3/8"	K1190AJ.....	2 1/8"	K1291J.....	2 3/4"	D1202T.....	2 1/4"
K1141P.....	2 3/8"	K1191J.....	2 1/4"	K1291AJ.....	2 3/4"	D1203T.....	2 1/4"
K1144H.....	2 1/4"	K1191AJ.....	2 1/4"	K1338AP.....	2 1/2"	D1205E.....	2 3/4"
K1158AT.....	2 1/4"	K1211P.....	2 7/8"	K1338BP.....	2 1/2"	D1206E.....	2 3/4"
K1158BT.....	2 1/4"	K1230P.....	2 5/8"	K1338CP.....	2 1/2"	D1211A.....	2 1/4"
K1158CT.....	2 1/4"	K1231P.....	2 5/8"	K1338DP.....	2 1/2"	D1220A.....	2 1/4"
K1158DT.....	2 1/4"	K1234P.....	2 5/8"	K1338FP.....	2 1/2"	D1221A.....	2 1/4"
K1158FT.....	2 1/4"	K1240P.....	3"	K1361P.....	2 3/8"	D1222B.....	2 1/4"
						D1223B.....	2 1/4"